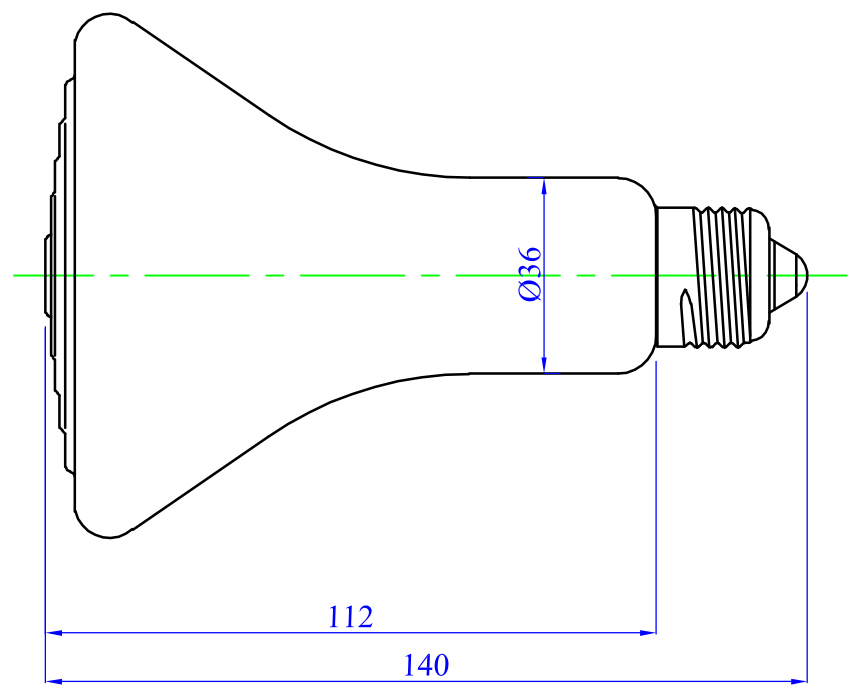


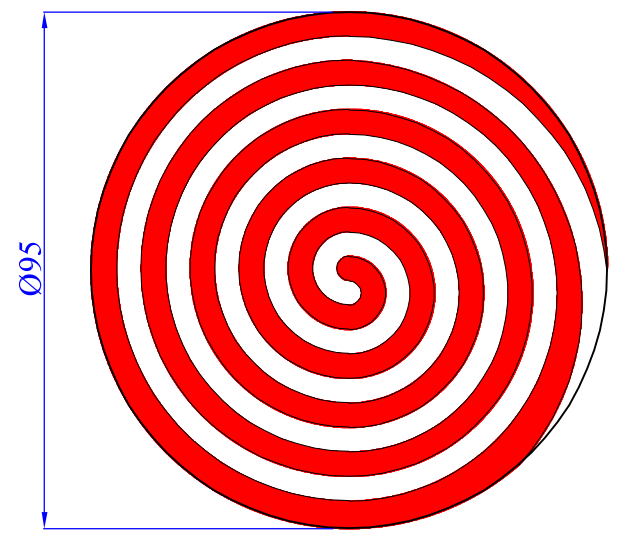
RevNo	Revision note	Date	Signature	Checked
0	No Revisions	xx-xx-xx	M.M.	

A
B
C
D
E
F

A
B
C
D
E
F



SIDE VIEW



BOTTOM VIEW (HEATED SIDE)

Coil path

Note.
* All dimensions are in mm

Ref -	Qty -	ESER designed in 2007			Part no. *****	
Drawn by M.M.	Checked by	Tolerance +/- 3%	Filename ESER240907MD	Date 24-09-2007	Scale Not to scale	
			Title Edison Screw Element Regular			
			Drawing no. 240907MD		Edition 1	Sheet A4

1 2 3 4 5 6 7 8