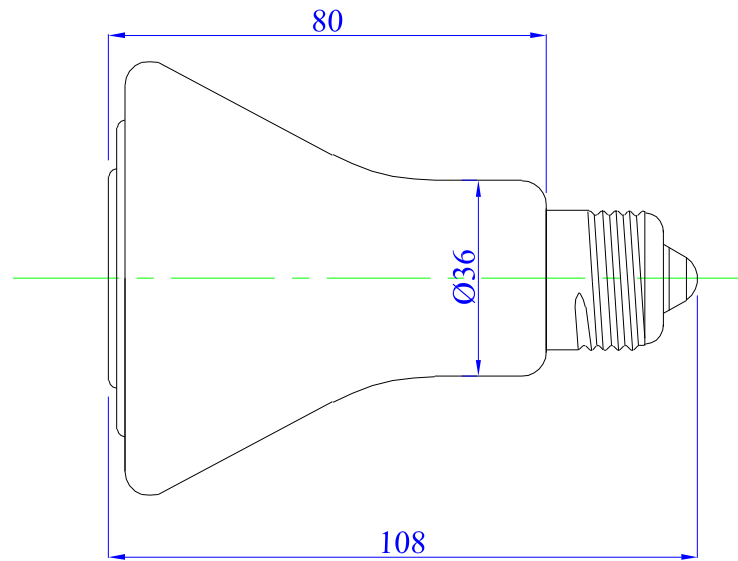
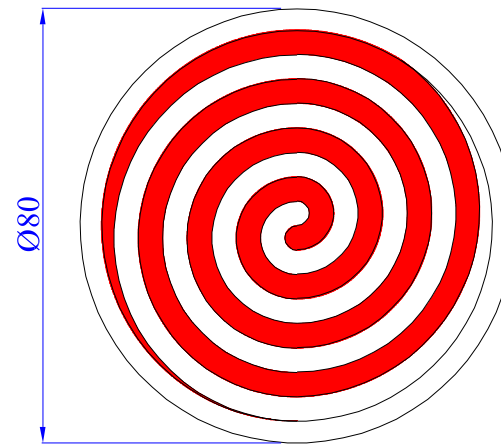


RevNo	Revision note	Date	Signature	Checked
0	No Revisions	xx-xx-xx	M.M.	




SIDE VIEW



BOTTOM VIEW (HEATED SIDE)

 Coil path

Note.
* All dimensions are in mm

Ref -	Qty -	ESES designed in 2007			Part no. *****	
Drawn by M.M.	Checked by	Tolerance +/- 3%	Filename ESES240907MB	Date 24-09-2007	Scale Not to scale	
			Title Edison Screw Element Small			
			Drawing no. 240907MB		Edition 1	Sheet A4