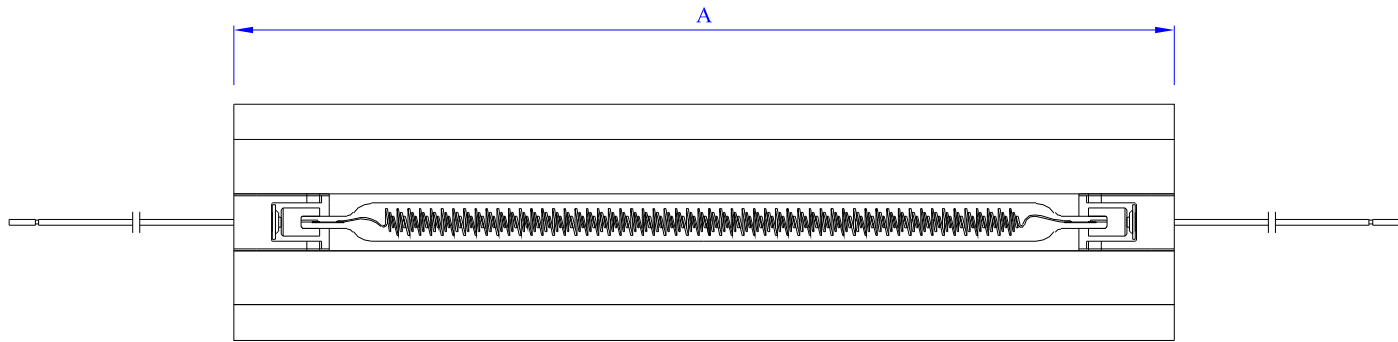
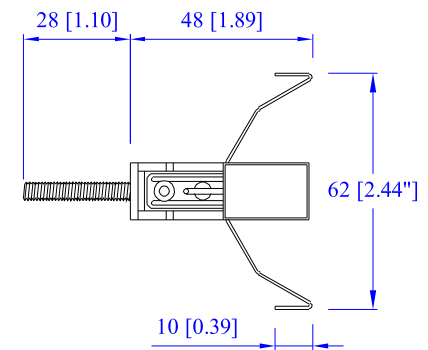


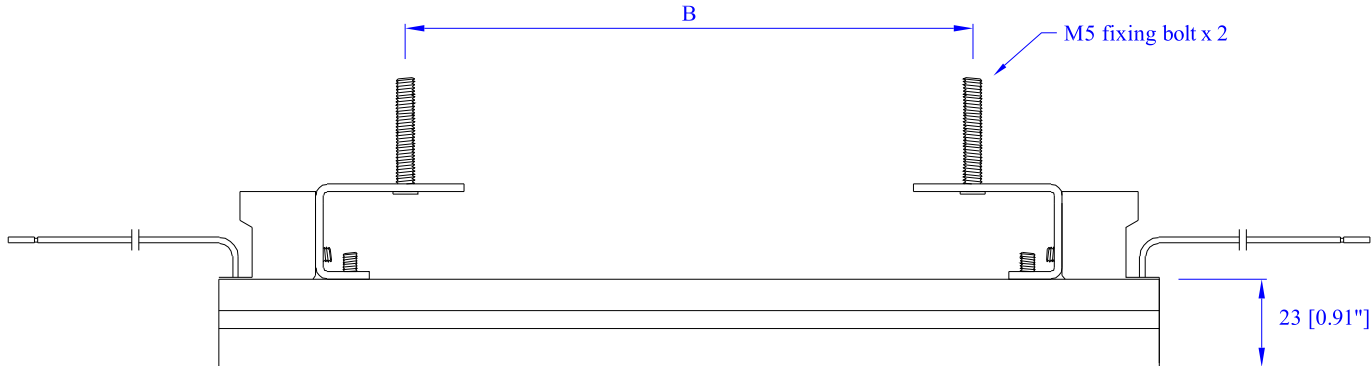
RevNo	Revision note	Date	Signature	Checked
0	No Revisions	xx-xx-xx	J.W.	



FRONT VIEW



END VIEW



SIDE VIEW

Primary specifications			
Dimensions	QTSR	QTMR	QTLR
A (overall):	247mm [9.73"]	302mm [11.90"]	497mm [19.58"]
B (fixings):	149mm [5.87"]	204mm [8.04"]	399mm [15.72"]

Note

- All dimensions are mm[inches]
- Reflector manufactured from 0.75mm thick polished aluminised steel

Drawn by J.W.	Checked by	Tolerance +/- 1mm	Filename QTreflectors100701A	Date 10-07-01	Scale Not to scale
			Title QT- Single Reflectors		
			Drawing no. 100701A		Edition 1