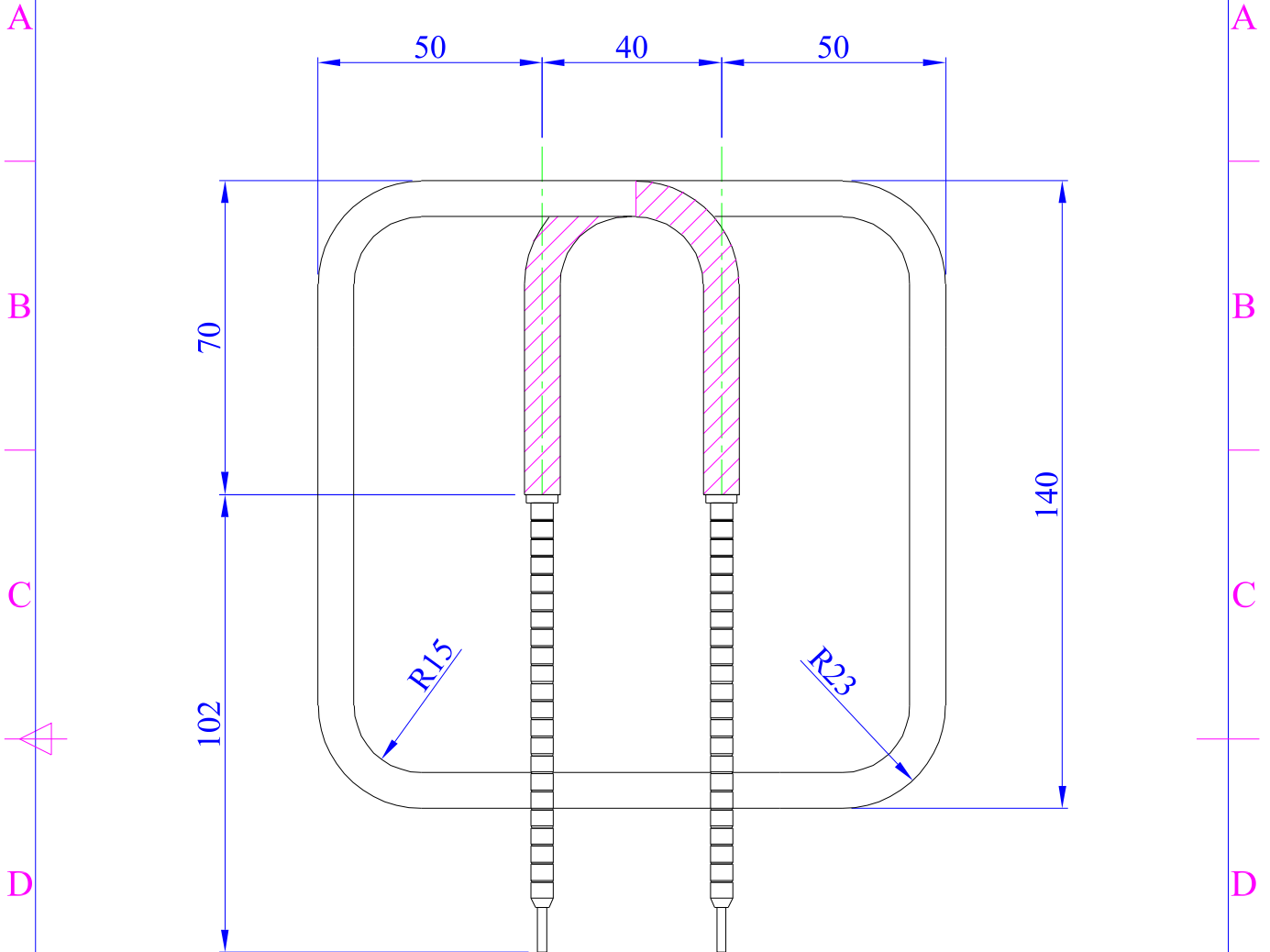



1	2	3	4
RevNo 0	Revision note No Revisions	Date xx-xx-xx	Signature J.W. Checked



 Unheated area

Ref -	Qty -	Glass tube: 8mm satin			Part no. 0000	
Drawn by J.W.	Checked by	Tolerance +/- 5mm	Filename Tubular140x140_080302D	Date 08-03-02	Scale Not to scale	
			Title Single tube Quartz heater			
			Drawing no. 080302D		Edition 1	Sheet 1