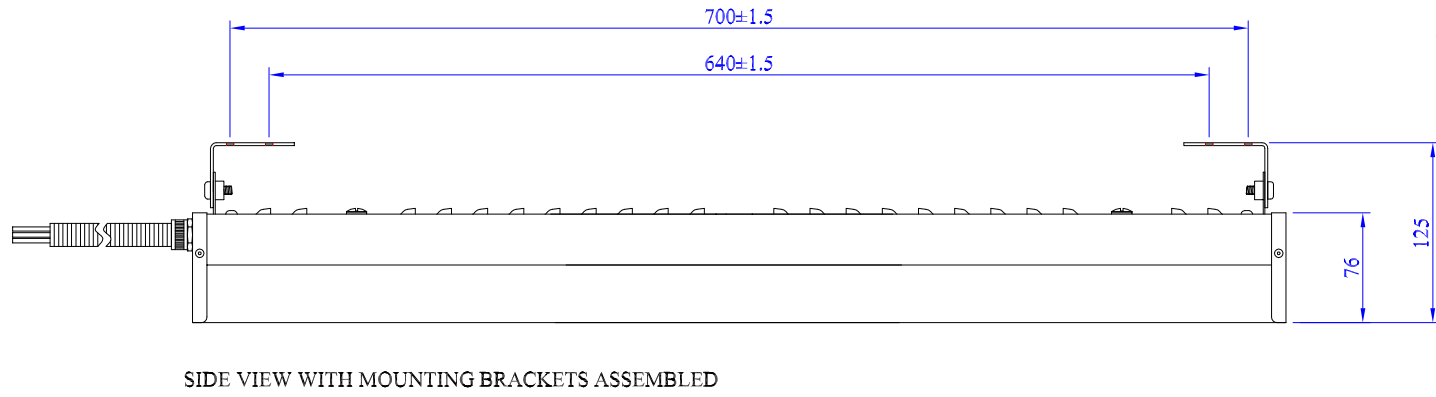
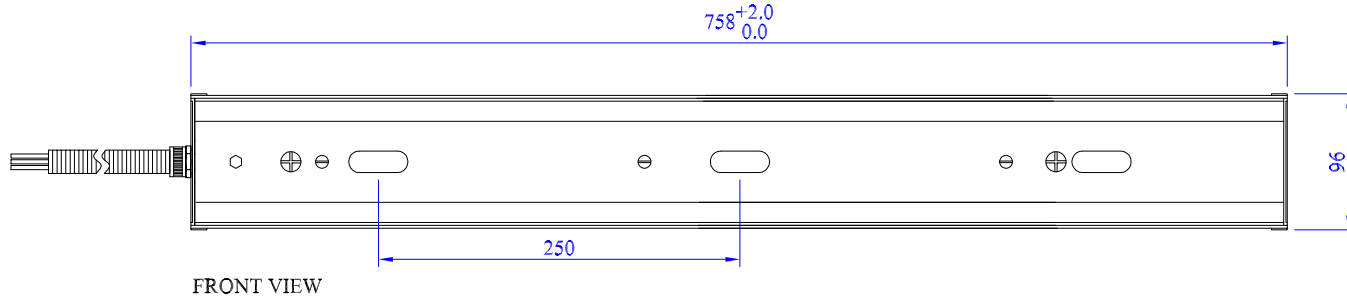
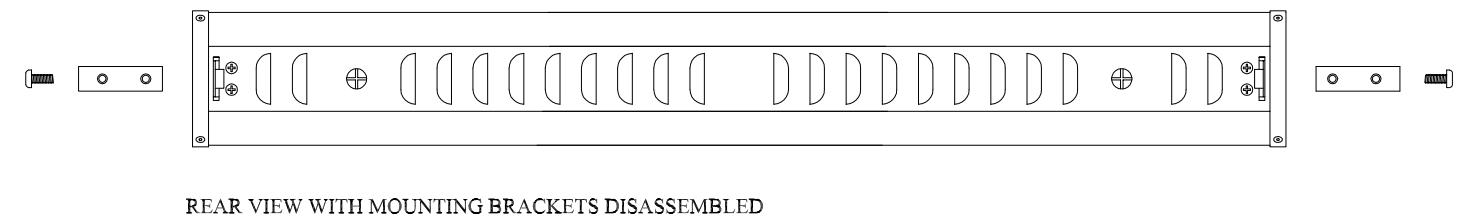
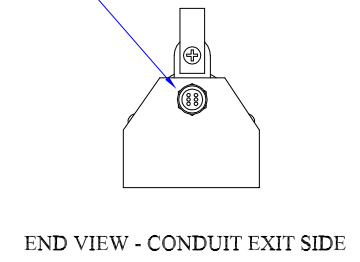


RevNo 1	Revision note Dimensions altered	Date 23/02/11	Signature J.W.	Checked
------------	-------------------------------------	------------------	-------------------	---------



16mm [0.63"] dia. metallic conduit  
1.5M [59.10"] in length



\* All measurements in mm [inches]  
\* Reflector material: 0.75mm [0.03"] polished aluminised steel

Ref -	Qty -	Boxless PAS3designed for ceramic infrared emitters		Part no.	
Drawn by E.W.	Checked by D.W.	Tolerance +/- 1.0mm	Filename BoxlessPAS3ceramic	Date 05/02/03	Scale Not to scale
			Title <b>Boxless PAS 3 - Ceramic</b>		
			Drawing no. 050203X		Edition 1