

QTLR - Quartz Tungsten Long Reflector



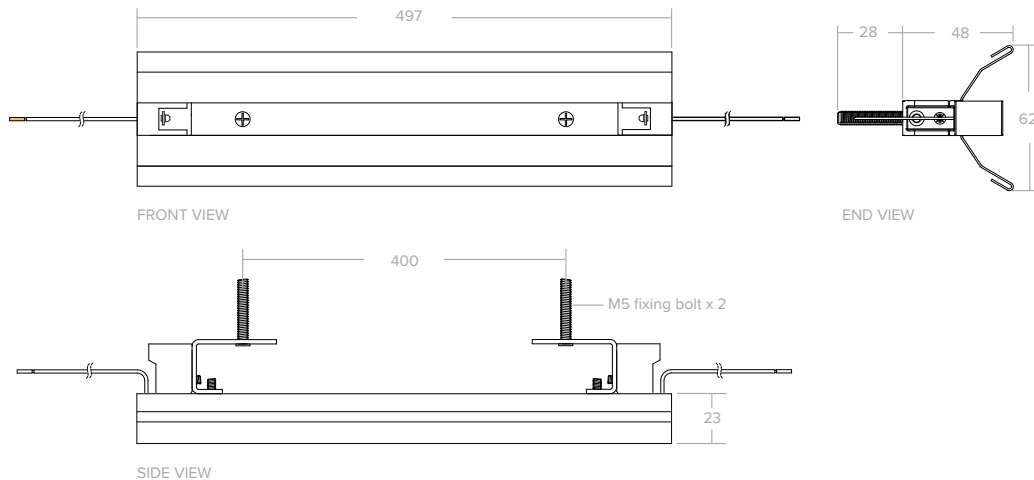
Properties

Designed to cater for QTL/QHL tubes (supplied separately), this polished aluminised steel reflector features a highly reflective casing, to maximise heat output. The units can be mounted individually or side-by-side to form IR panels.



Technical specification

Material	0.75 mm Polished Aluminised Steel Reflector
Dimensions	497 x 62 x 76 mm
Average weight	401g
Standards	CE
Assembly	2 x M5 fixing bolts R7s holders with 200mm leads Ø 0.75mm with PTFE-insulation



QTLR QUARTZ TUNGSTEN HALOGEN REFLECTOR

Suitable for QTL/QHL tubes with R7s terminations
Tolerances apply, all dimensions mm.
Reflector 0.75 mm polished aluminised steel
Lead length 200mm Ø 0.75mm² PTFE-insulation

