

## ESES - Edison Screw Element Small

### Properties

The standard range of ceramic infrared elements in stock are used in a wide range of industrial and engineering applications such as thermoforming, packaging, paint curing, printing, drying, gluing, sterilisation, roasting etc. They are also very effectively used in infrared outdoor heaters and saunas.

Most plastics and many other materials absorb infrared best in the wavelength range of 2-10  $\mu\text{m}$ , which makes the ceramic heater the most popular radiant emitter on the market.

### Technical specification

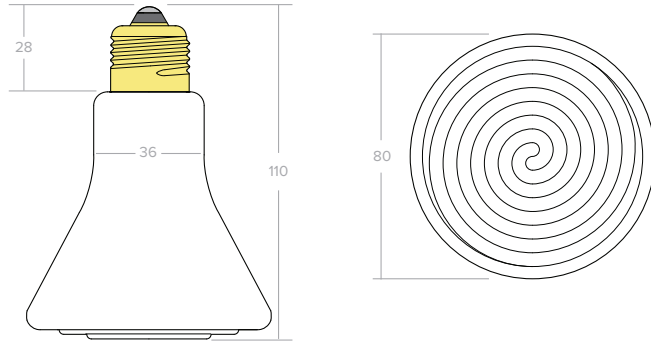
Material	Ceramic solid body in white glaze colour with an embedded resistance heating coil
Heater Voltage	230 V (standard)
Operating Temperature	Max permissible 750°C
Useful wave-length range	2 - 10 $\mu\text{m}$ (microns) long wavelength
Dimensions	$\varnothing$ 80 x 110 mm
Average weight	102 g
Assembly	Recommended radiation distance from heater is 100mm to 200mm.
Average operating life	Up to 20 000 hrs depending on conditions
Standards	CE, UL-499
Packaging w x h x d	83 x 83 x 111 mm



### Standard assortment

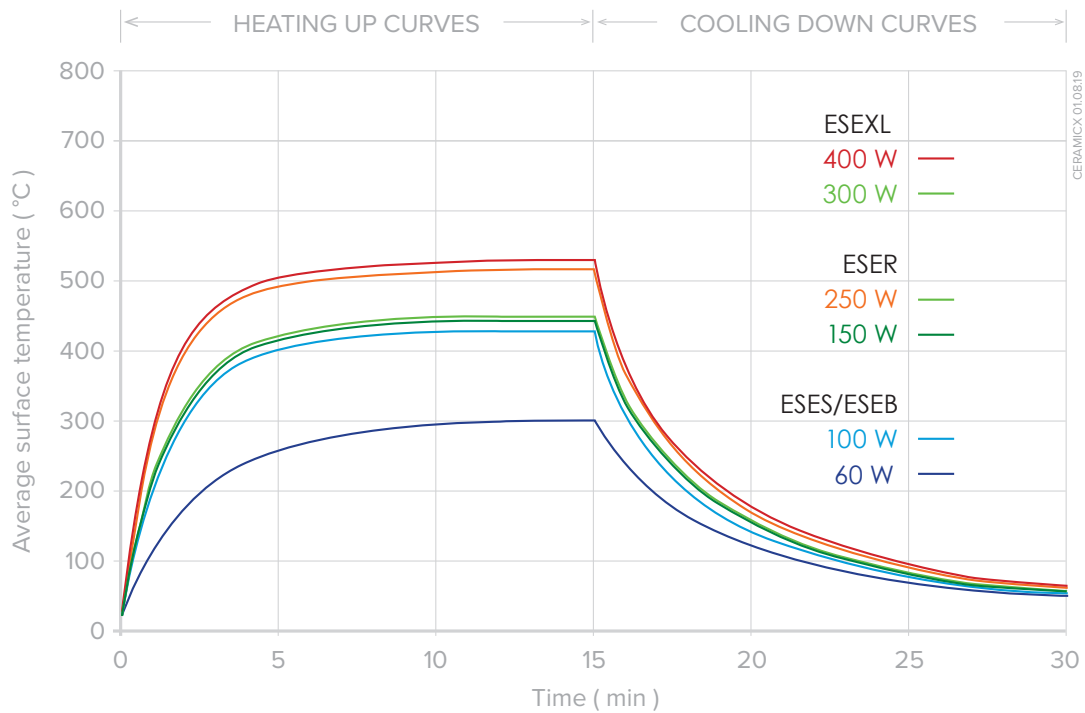
Model ESES	Power W	Mean Surface Temperature °C	Max Power Density kW/m <sup>2</sup>
ESES 60	60	300	4.9
ESES 100	100	426	8.1





**ESES EDISON SCREW ELEMENT STANDARD**  
24.0719

Tolerances apply, all dimensions mm.



**BULB ELEMENTS ESEB, ESER, ESEB, ESEXL**

Heating up and cooling down curves showing average surface temperature taken with an infrared thermometer set at an emissivity of 0.90