

ESEXL - Edison Screw Element Large

Properties

The standard range of ceramic infrared elements in stock are used in a wide range of industrial and engineering applications such as thermoforming, packaging, paint curing, printing, drying, gluing, sterilisation, roasting etc. They are also very effectively used in infrared outdoor heaters and saunas.

Most plastics and many other materials absorb infrared best in the wavelength range of 2-10 μm , which makes the ceramic heater the most popular radiant emitter on the market.



Technical specification

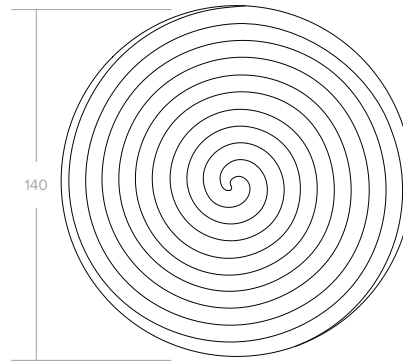
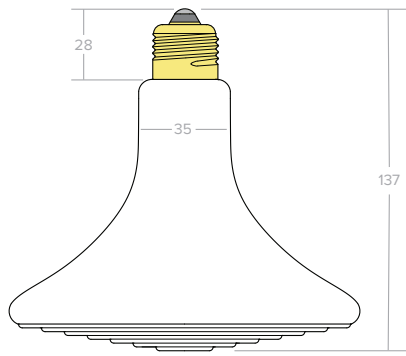
Material	Ceramic solid body in white glaze colour with an embedded resistance heating coil
Heater Voltage	230 V (standard)
Operating Temperature	Max permissible 750°C
Useful wave-length range	2 - 10 μm (microns) long wavelength
Dimensions	\varnothing 140 x 137 mm
Average weight	276 g
Assembly	Recommended radiation distance from heater is 100mm to 200mm.
Average operating life	Up to 20 000 hrs depending on conditions
Standards	CE
Packaging w x h x d	100 x 100 x 143 mm



Standard assortment

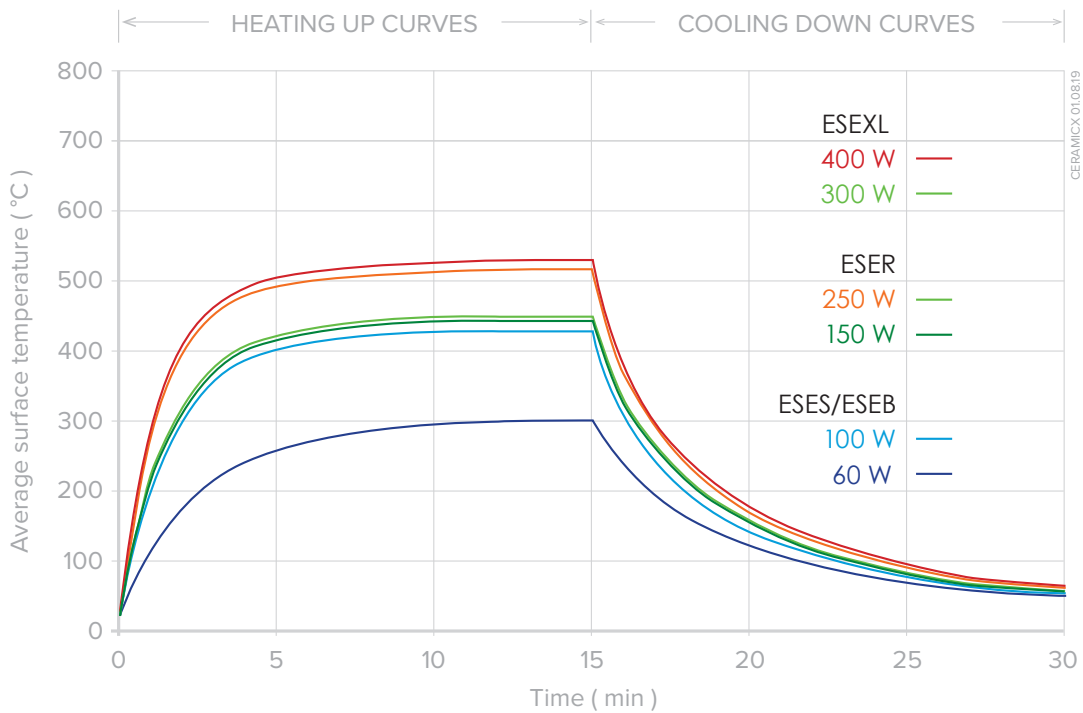
Model ESEXL	Power W	Mean Surface Temperature °C	Max Power Density kW/m ²
ESEXL 300	300	450	10.8
ESEXL 400	400	530	14.4





ESEXL EDISON SCREW ELEMENT LARGE
24.0719

Tolerances apply, all dimensions mm.



BULB ELEMENTS ESEB, ESER, ESEB, ESEXL

Heating up and cooling down curves showing average surface temperature taken with an infrared thermometer set at an emissivity of 0.90