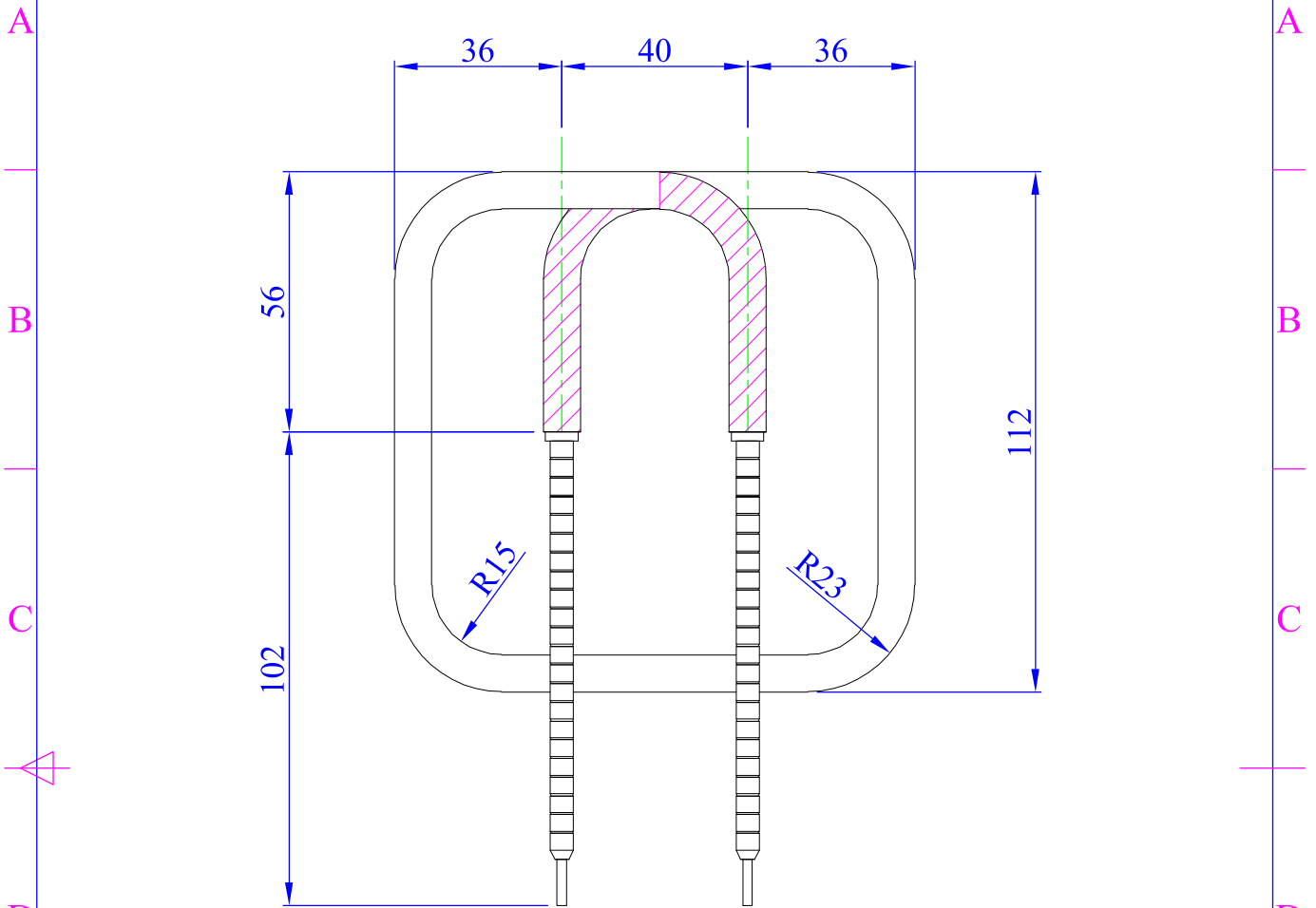



1	2	3	4
RevNo 0	Revision note No Revisions	Date xx-xx-xx	Signature J.W. Checked



 Unheated area

Ref -	Qty -	Glass tube: 8mm satin	Part no. 0000
Drawn by J.W.	Checked by	Tolerance +/- 5mm	Filename Tubular112x112_040401C
		Date 04/04/01	Scale Not to scale
		Title Single tube Quartz heater	
		Drawing no. 040401C	Edition 1 Sheet 1